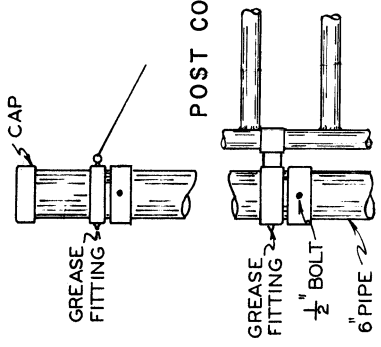
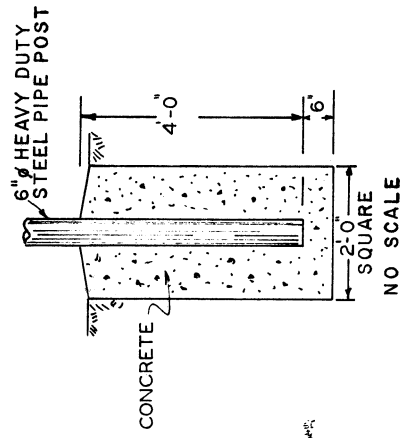
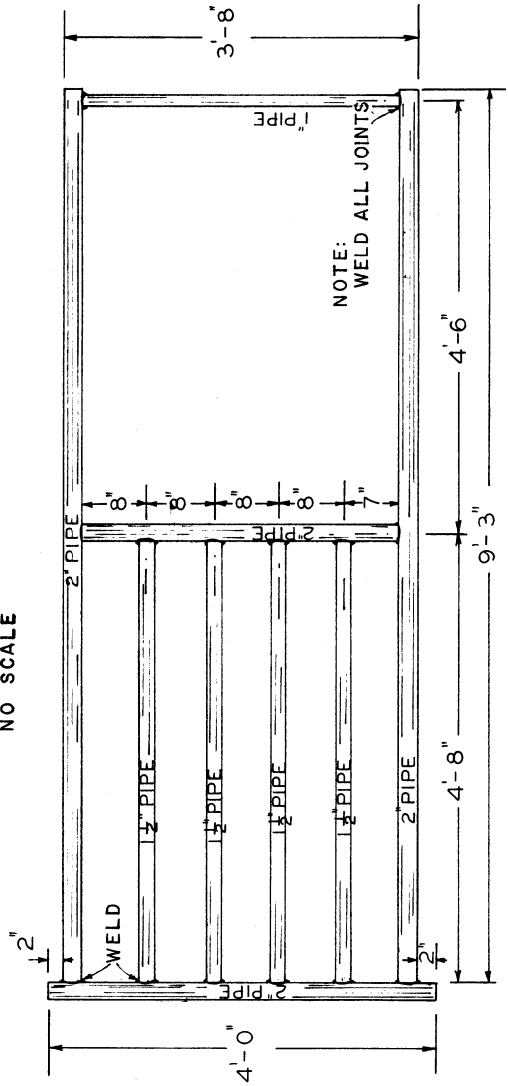


PICTORIAL VIEW

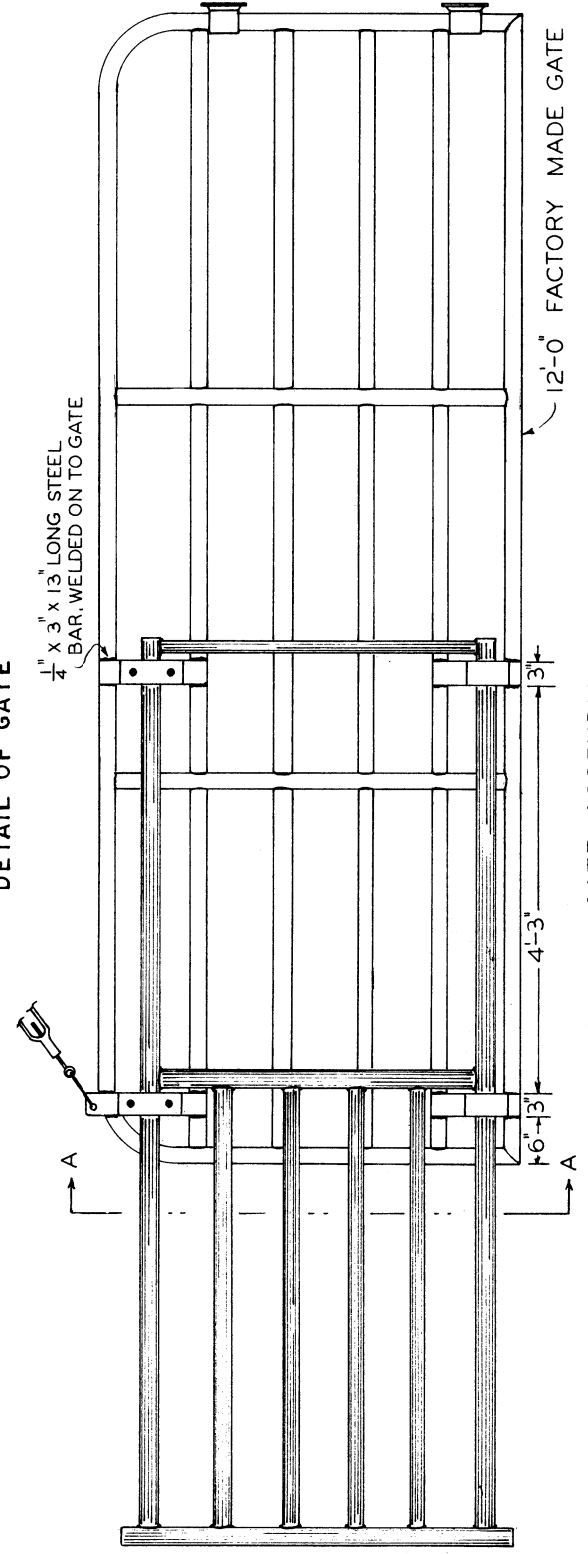


POST CONNECTION

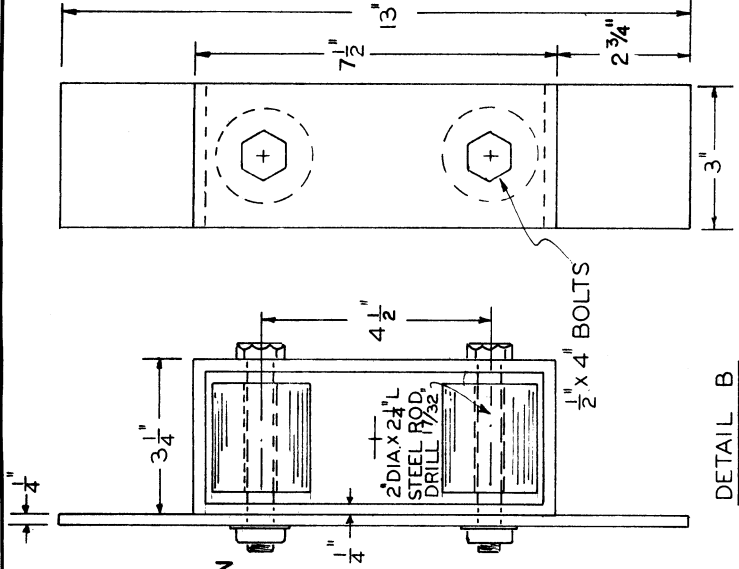


DETAIL OF GATE

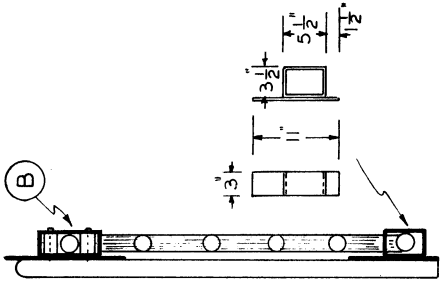
1/4" x 3" x 13" LONG STEEL BAR, WELDED ON TO GATE



GATE ASSEMBLY



DETAIL B
HALF SIZE



SECTION A-A

BASED ON: OREGON STATE UNIV.
PLAN NO. BP 109

COOPERATIVE EXTENSION WORK IN
AGRICULTURE AND HOME ECONOMICS
STATE OF TENNESSEE
UNIVERSITY OF TENNESSEE
UNITED STATES DEPARTMENT OF AGRICULTURE COOPERATING

GATE	
TELESCOPING TYPE	SHEET 1 OF 1
ORE. '72	6151