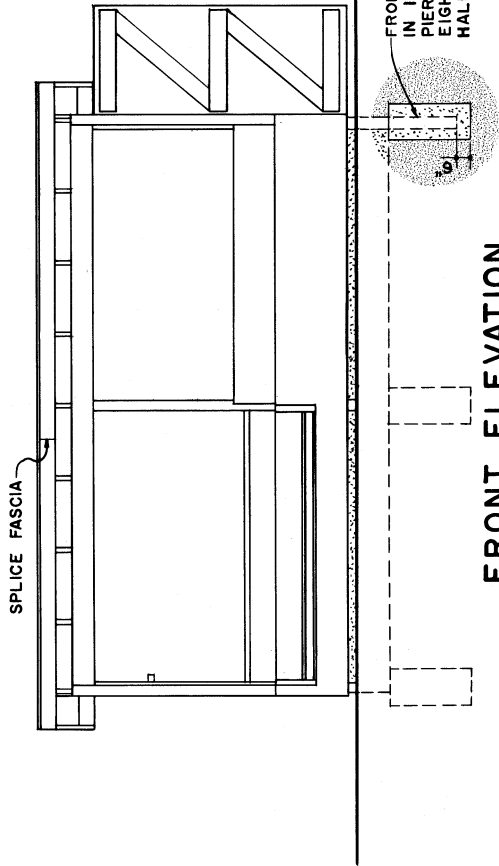


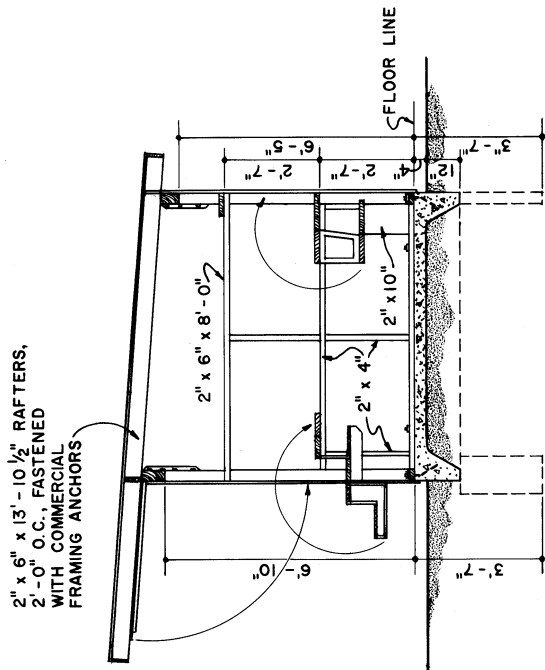
2" x 6" x 13' - 10 1/2" RAFTERS,
2'-0" O.C., FASTENED
WITH COMMERCIAL
FRAMING ANCHORS



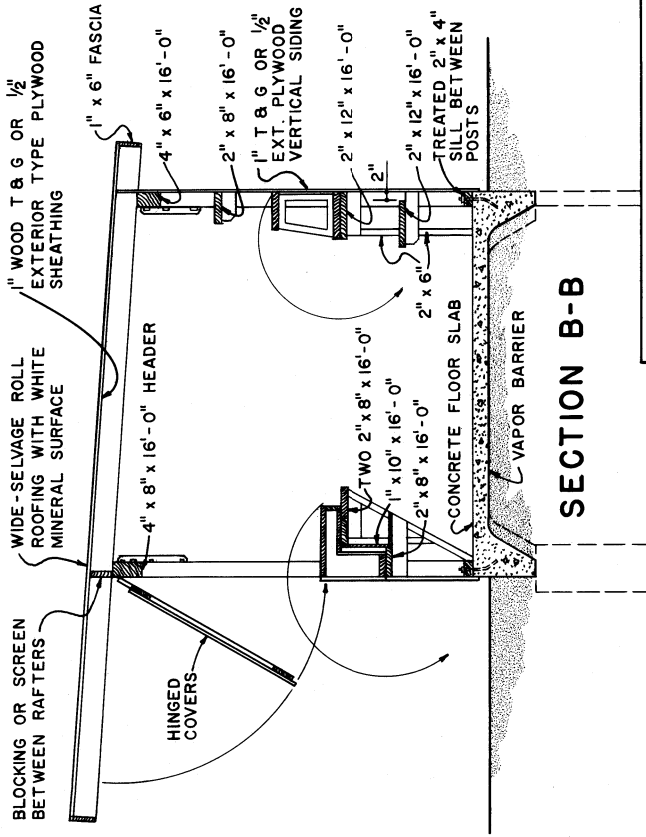
FRONT ELEVATION
HINGED COVERS NOT SHOWN

NOMINAL GRADE

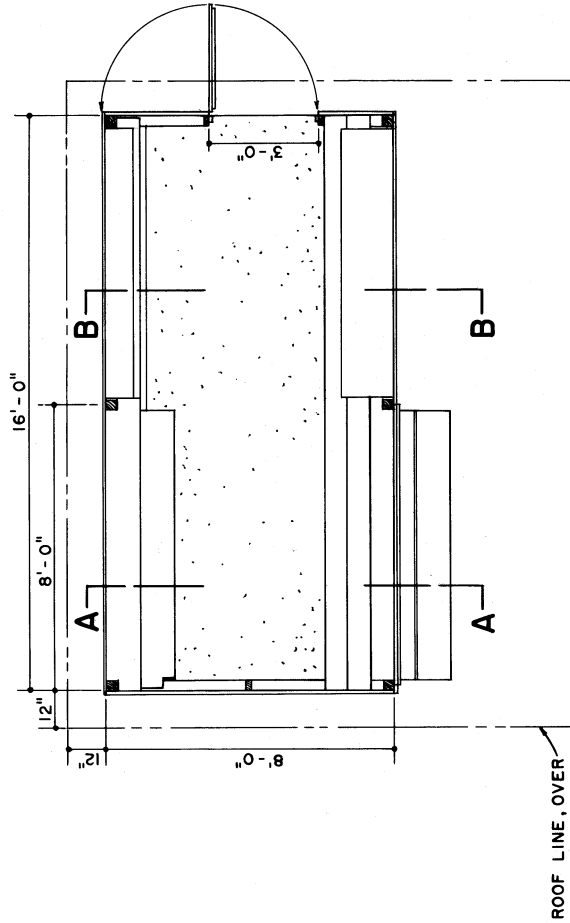
FRONT POSTS ARE SET
IN 12" DIAMETER CONCRETE
PIERS AND BONDED WITH
EIGHT 20# NAILS DRIVEN
HALF WAY INTO EACH POST



SECTION A-A
SHOWING END WALL FRAMING



SECTION B-B



PLAN

ALL POSTS ARE 4" x 4" x 10'-0"
PRESSURE-TREATED WITH A
PRESERVATIVE TO A RETENT-
ION OF 8 LBS. PER CUBIC FOOT.

USE OF PRESERVATIVES SUCH
AS PENTACHLOROPHENOL OR
COPPER-NAPHTHENE WILL
PERMIT THE POSTS TO BE
PAINTED.

FRONT POSTS ARE SECURED TO
THE 4" x 8" HEADER WITH 1 1/2" x 1/2"
x 1/8" STEEL ANGLES 18" LONG AND
FOUR 3/8 x 3" LAG SCREWS.

REAR POSTS ARE SECURED TO
THE 4" x 6" WITH STEEL ANGLES
15" LONG AND THREE LAG SCREWS.

ANCHOR SILLS TO SLAB
WITH TWO 1/2" BOLTS 5'-0"
APART BETWEEN POSTS,
EXCEPT FOR THE BOLT AT
THE HINGE SIDE OF THE
DOOR JAMB.

COOPERATIVE EXTENSION WORK IN
AGRICULTURE AND HOME ECONOMICS
STATE OF TENNESSEE
UNIVERSITY OF TENNESSEE
UNITED STATES DEPARTMENT OF AGRICULTURE COOPERATING

ROADSIDE STAND
8'-0" x 16'-0"

USDA '65 EX. 5983 SHEET 1 OF 2

3/8" CARRIAGE BOLTS WITH HEADS COUNTERSUNK

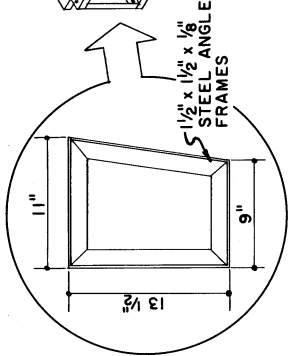
2" x 12" x 7'-9 1/2" NOTCHED TO FIT AROUND CORNER POST WHEN IN RAISED POSITION

FOUR HEAVY FULL-MORTISE BUTT-HINGES 4" x 3 1/2", SWAGED

2" x 10" x 7'-6"

REAR HINGED SHELF UNIT

TWO REQUIRED



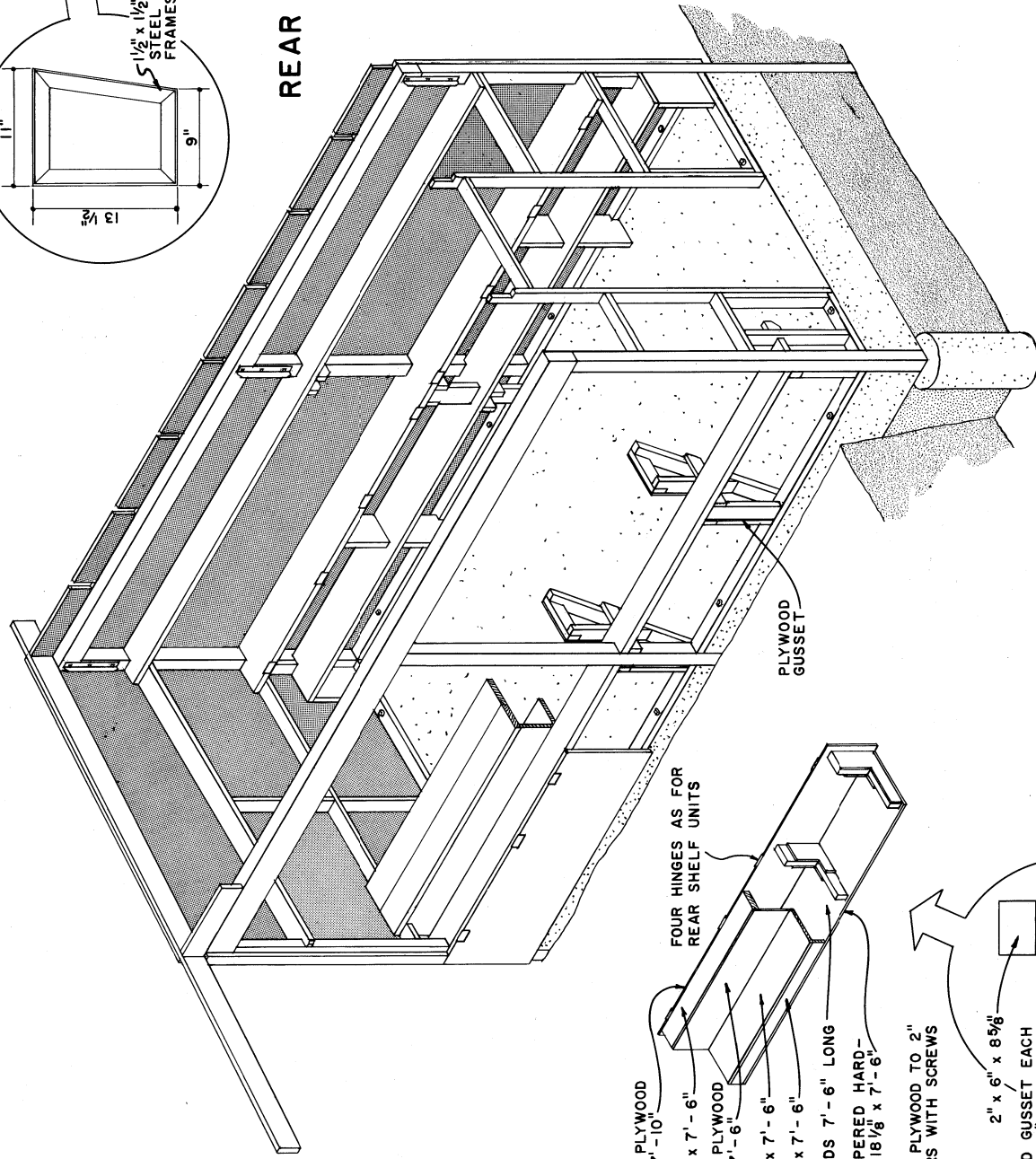
1/2" EXTERIOR PLYWOOD 4'-0" x 7'-10" ON FRAME OF 1" x 6" OR 2" x 3" FASTENED WITH SCREWS OR CLINCHED NAILS

THREE GALVANIZED STRAP OR TEE HINGES

PROVIDE EYE BOLTS 4'-3" APART TO SUIT HOOKS OR PULLEYS ON SIDES OF RAFTERS

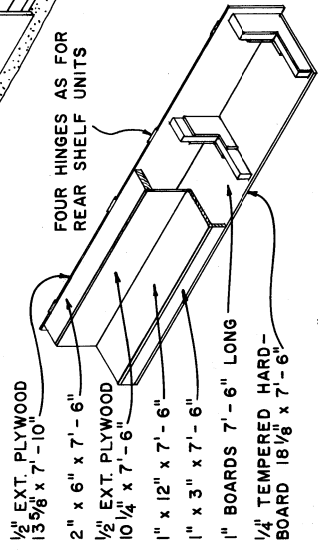
HINGED COVER

TWO REQUIRED



VIEW SHOWING CONSTRUCTION

CUT AWAY FOR CLARITY



1/2" EXT. PLYWOOD 13 5/8" x 7'-10"

2" x 6" x 7'-6"

1/2" EXT. PLYWOOD 10 1/4" x 7'-6"

1" x 12" x 7'-6"

1" x 3" x 7'-6"

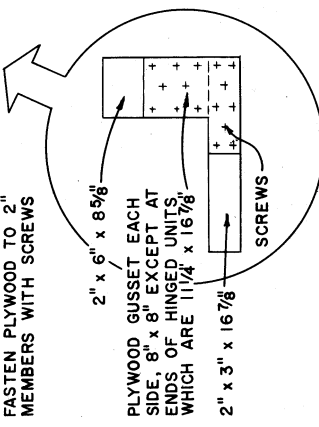
1" BOARDS 7'-6" LONG

1/4" TEMPERED HARD-BOARD 18 1/8" x 7'-6"

FASTEN PLYWOOD TO 2" MEMBERS WITH SCREWS

FOUR HINGES AS FOR REAR SHELF UNITS

PLYWOOD GUSSET



COUNTER-DISPLAY UNIT

TWO REQUIRED