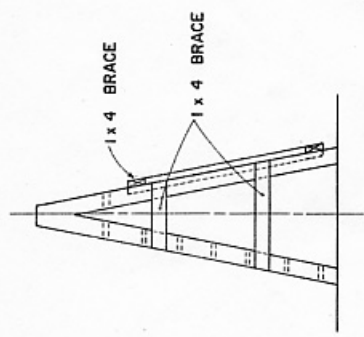
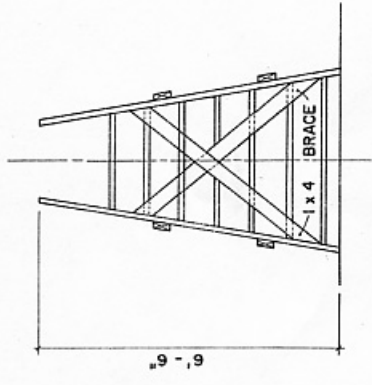


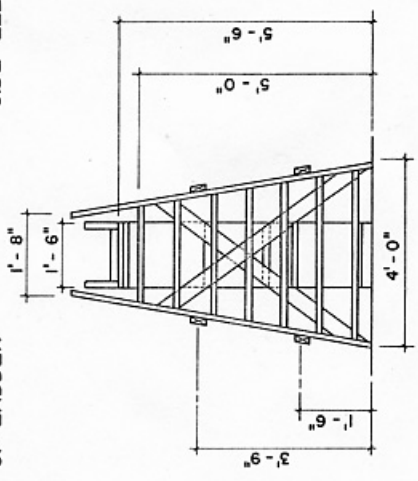
REAR ELEVATION OF LADDER



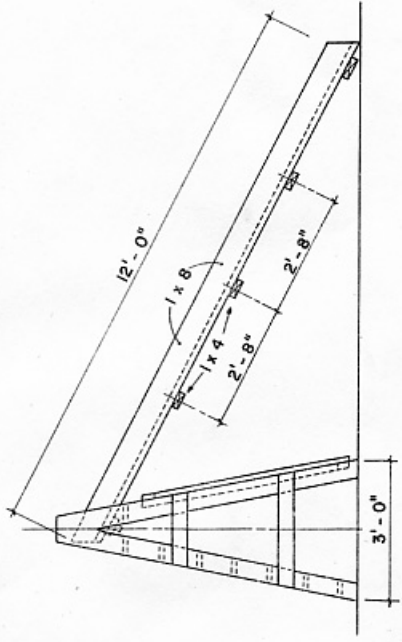
SIDE ELEVATION OF LADDER



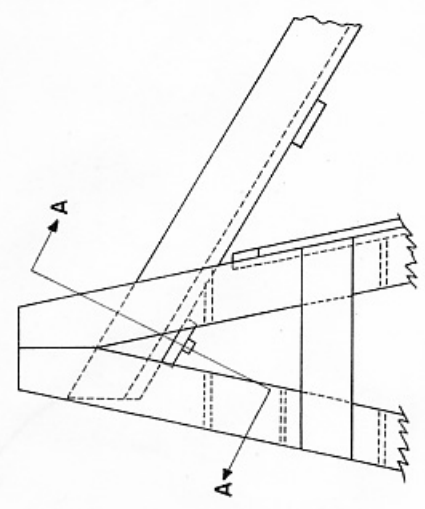
BRACING DETAIL



REAR ELEVATION



SIDE ELEVATION



SECTION A - A

SLIDING BOARD



SCALE: UNLESS OTHERWISE NOTE

COOPERATIVE EXTENSION WORK IN  
 AGRICULTURE AND HOME ECONOMICS  
 UNIVERSITY OF TENNESSEE  
 AGRICULTURAL ENGINEERING DEPARTMENT  
 AND  
 UNITED STATES DEPARTMENT OF AGRICULTURE COOPERATING

PLAYGROUND EQUIPMENT

USDA '79 EX. 6317 SHEET 1 OF 4

BASED ON: AUBURN UNIV. PLAN NO. E-302

